



FINEX SIEVES PVT.LTD.

FINEX SIEVES PVT LTD India's Leading Designer and Manufacturer of Powder Processing Machineries for Grinding, Screening, Mixing, Drying, Crushing, Cleaning, Pelet Making and Material Handling Equipment's and Plants. Established in the year 1981 we are one of the leaders in Designing and Manufacturing of Powder Processing Machineries providing Innovative, Customized products for the process Industries. We supply all over the world with over 2500 successful Installations and are located in Vadodara, Gujarat India's Largest Engineering Industrial Estate. We are having a Land Area of 27,000 sq ft with a built up Area of over 10,000 sq ft.

We also have Demo Machines both in Stainless steel and Mild steel for all the models that we mfg and we offer trials and undertake development work for new application.

FINEX SIEVES PVT. LTD.

606, GIDC, MAKARPURA, VADODARA,
GUJARAT, INDIA-390010.

Ph: - 91-265-2638842, Fax:- 91-265-2311871

M: 91-9376232820

Visit Site:www.finexsieves.com

E-mail:contact@finexsieves.com
fsieves@yahoo.com

FINEX FUFM SCREENLESS PULVERIZERS

This is a Screenless Pulverizer for very fine grinding of powders from 100 to 300mesh . the material is fed in the center , Between the rotating tips and stationary serrated C shaped liners grinding takes place the grinded powder is sucked in to the sides of rotating Rotor through a gap plate which can be set from .5mm to 3mm. Through a built in blower the grinded powder is discharged downwards to be collected manually if the System is Gravity or it is pneumatically conveyed through a Blower into a Cyclone system .

Used for grinding sugar, tobacco snuff, chemicals dyes, minerals etc.

MODEL	HP	CAP.
FUFM300	10	50 to100KGS/hr
FUFM400	20	100 to 200kgs/hr
FUFM600	40	500kgs/hr

For Grinding powders 100 to 300mesh.

POWDER PROCESSING PRODUCT RANGE OF FINEX EQUIPMENTS & PLANTS

<p><u>GRINDING EQUIPMENTS</u> Hammer Mill Pin Mill Micro Mill Plastic Grinding Mills Ultra Fine Mills Air Swept Mills</p>	<p><u>CRUSHING</u> Lump Crushers Lump Breakers Inline Crushers</p>
<p><u>SCREENING EQUIPMENTS</u> Gyratory Separators Vibratory Graders Rotary Sifters Rotary Drum Sifters Cleaning Graders Air Aspirators Destoners Air Classifiers</p>	<p><u>MATERIAL HANDLING SYSTEMS</u> Screw Conveyors Vibratory Feeders Bucket & Belt Conveyors PJ Dust Collectors Rotary Airlock Valves Pneumatic Conveying Systems</p>
<p><u>DRYERS & ROASTERS</u> Pneumatic Dryers Flash Dryers Roasters <u>Continuous</u> FLUID BED PNEUMATIC DRYING PLANTS</p>	<p><u>TURNKEY PLANTS</u> Salt Refinery Spice Plant Air Classification Plants</p> <p><u>BLENDERS & MIXERS</u> Ribbon Blenders Paddle Blenders Drum Mixers</p>

APPLICATIONS

CHEMICLAS	PHARMACEUTICALS	COSMETIC	PLASTICS
Fillers	Insecticides	Detergent	Pigment
Resins	Spices	Ceramics	Fillers
Cement	Food Flour Powder	Lime	Mineral

FINEX - UFM



FINEX-UFM MACHINE



FINEX-UFM MACHINE



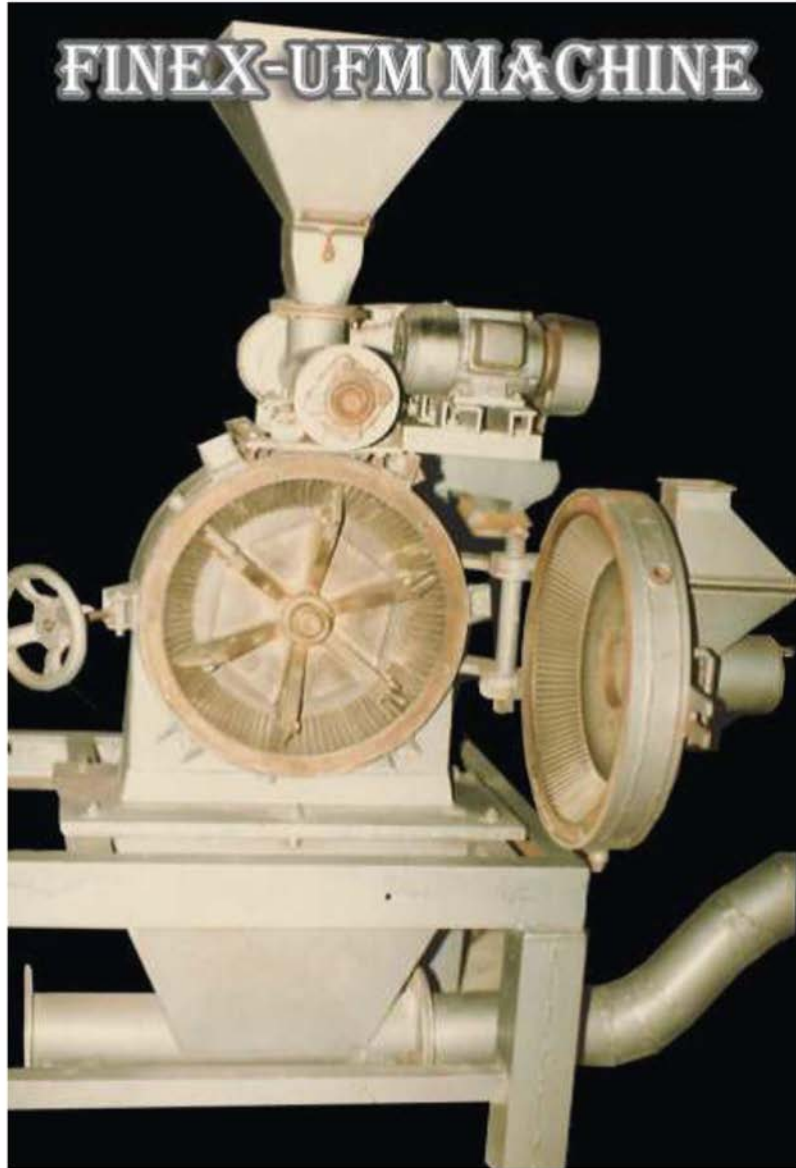
FINEX-UFM MACHINE



FINEX-UFM MACHINE



FINEX-UFM MACHINE



FINEX-UFM MACHINE



FINEX-UFM MACHINE WITH FEEDER



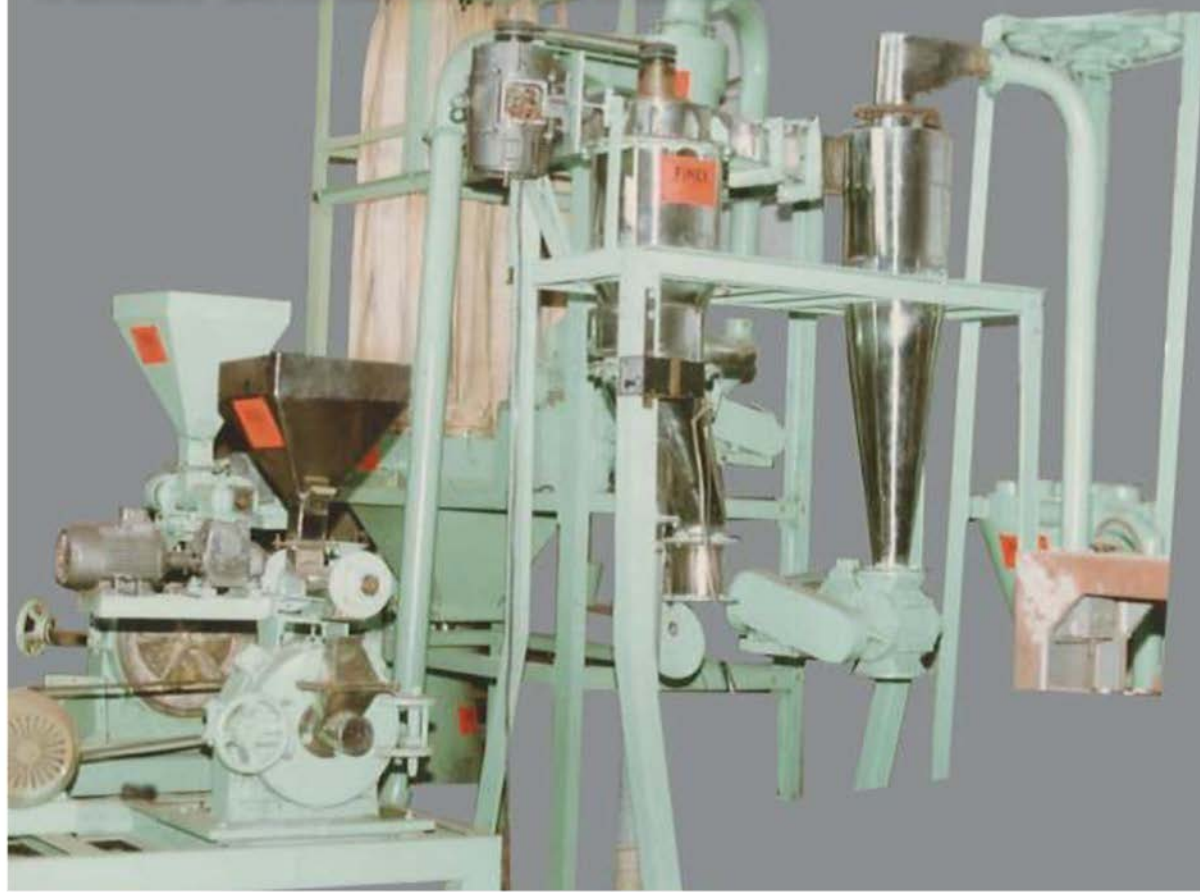
FINEX-UFM GRINDING PLANT



FINEX- UFM MACHINE



FINEX-UFM MACHINE PLANT



VALUE  MONEY "FINEX" ULTRA FINE MILLS (UFM)



ULTRA FINE GRINDING PLANT

Model

(1) UFM 300 (2) UFM 400 (3) UFM 600 (4) *UFM 800*

System

Feed stock enters the mill centrally through an aperture in the access door. The rotor plate with grinding media rotates at high speed throwing the feed stock centrifugally between the stationary and rotating components. The feedstock is broken down by mechanical impact and particle interaction. Output and fineness of the ground product depends upon feedrate, rotor speed, selection of grinding media size, consistency of feed material, and the way ground product is collected. This is a screenless pulverizer having vane type rotor and stationary peripheral liner having a large throughput grinding area. It has a built-in water circulation jacket to reduce grinding temperature. Blower, located on rotor shaft picks fine particles from Grinding chamber. Particle size are further controlled by control plate located between rotor and blower.

Application

Highly suitable for heat sensitive chemicals, dyes, tobacco, stuff, pharmaceuticals, foods, minerals, wood rubber etc., For grinding midly hard to soft materials upto 3 on moh scale.

SCREENLESS (UFM)

SPECIFICATIONS	UFM 300	UFM 400	<i>UFM 500</i>	UFM 600
MOTOR	10+5	20+1	<i>15+3</i>	30+1
CAPACITY KGS/HR.	75	250	<i>1000</i>	400
MAXIMUM PERMISSIBLE FEED SIZE	3MM	5MM	<i>5mm</i>	10MM

VALUE  MONEY

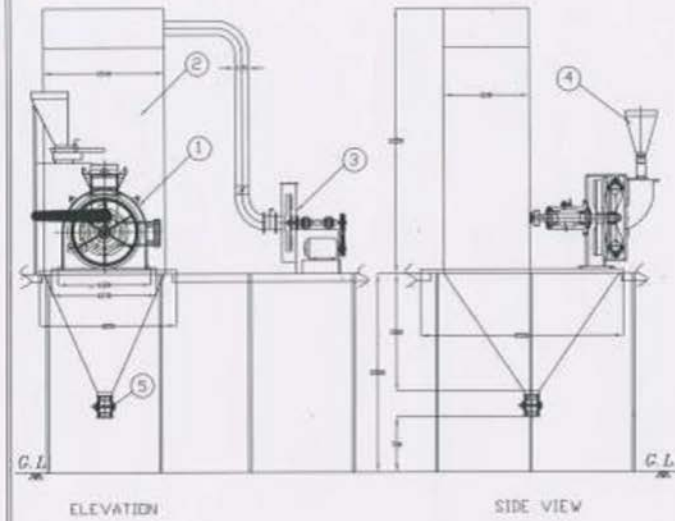


OPEN VIEW



PLANT

FINEX ULTRA FINE MILL



SRNO.	EQUIPMENT	QTY.
1	IMPACTOR U.F.M. 400	1
2	CYCLONE	1
3	AIR BLOWER	1
4	VIBRATING FEEDER	1
5	AIR LOCK VALVE	1

DRG NO - FSP/ S/C/0049/2008
FINEX SIEVES PVT. LTD.
 606 GIDC MAKARPURA,
 SARODIA-10
 PH:02225126422/14,2633942
 FAX:02225123118/1
 WEB:www.Finexsieves.com