



FINEX SIEVES PVT.LTD.

**FINEX SIEVES PVT LTD** India's Leading Designer and Manufacturer of Powder Processing Machineries for Grinding, Screening, Mixing, Drying, Crushing, Cleaning, Pelet Making and Material Handling Equipment's and Plants. Established in the year 1981 we are one of the leaders in Designing and Manufacturing of Powder Processing Machineries providing Innovative, Customized products for the process Industries. We supply all over the world with over 2500 successful Installations and are located in Vadodara, Gujarat India's Largest Engineering Industrial Estate. We are having a Land Area of 27,000 sq ft with a built up Area of over 10,000 sq ft.

We also have Demo Machines both in Stainless steel and Mild steel for all the models that we mfg and we offer trials and undertake development work for new application.

**FINEX SIEVES PVT. LTD.**

606, GIDC, MAKARPURA, VADODARA,  
GUJARAT, INDIA-390010.

Ph: - 91-265-2638842, Fax:- 91-265-2311871

M: 91-9376232820

Visit Site:[www.finexsieves.com](http://www.finexsieves.com)

E-mail:[contact@finexsieves.com](mailto:contact@finexsieves.com)  
[fsieves@yahoo.com](mailto:fsieves@yahoo.com)

# POWDER PROCESSING PRODUCT RANGE OF FINEX EQUIPMENTS & PLANTS

<p><b><u>GRINDING EQUIPMENTS</u></b>  <b>Hammer Mill</b>  <b>Pin Mill</b>  <b>Micro Mill</b>  <b>Plastic Grinding Mills</b>  <b>Ultra Fine Mills</b>  <b>Air Swept Mills</b></p>	<p><b><u>CRUSHING</u></b>  <b>Lump Crushers</b>  <b>Lump Breakers</b>  <b>Inline Crushers</b></p>
<p><b><u>SCREENING EQUIPMENTS</u></b>  <b>Gyratory Separators</b>  <b>Vibratory Graders</b>  <b>Rotary Sifters</b>  <b>Rotary Drum Sifters</b>  <b>Cleaning Graders</b>  <b>Air Aspirators</b>  <b>Destoners</b>  <b>Air Classifiers</b></p>	<p><b><u>MATERIAL HANDLING SYSTEMS</u></b>  <b>Screw Conveyors</b>  <b>Vibratory Feeders</b>  <b>Bucket &amp; Belt Conveyors</b>  <b>PJ Dust Collectors</b>  <b>Rotary Airlock Valves</b>  <b>Pneumatic Conveying Systems</b></p>
<p><b><u>DRYERS &amp; ROASTERS</u></b>  <b>Pneumatic Dryers</b>  <b>Flash Dryers</b>  <b>Roasters</b>  <b><u>Continuous</u></b>  <b>FLUID BED</b>  <b>PNEUMATIC</b>  <b>DRYING PLANTS</b></p>	<p><b><u>TURNKEY PLANTS</u></b>  <b>Salt Refinery</b>  <b>Spice Plant</b>  <b>Air Classification Plants</b></p> <hr/> <p><b><u>BLENDERS &amp; MIXERS</u></b>  <b>Ribbon Blenders</b>  <b>Paddle Blenders</b>  <b>Drum Mixers</b></p>

## APPLICATIONS

CHEMICLAS	PHARMACEUTICALS	COSMETIC	PLASTICS
Fillers	Insecticides	Detergent	Pigment
Resins	Spices	Ceramics	Fillers
Cement	Food Flour Powder	Lime	Mineral

## FINEX TWIN ROTATING PINMILL TD

This is the Universal Mill concept with two Rotating plates with Pins rotating in same or in opposite Directions. Material to be grinded enters from the CENTER , grinding takes place and by centrifugal force between both rotating pins grinding takes place and material as it gets finer is thrown towards the periphery and passes through a screen Stationary Ring with .5mm to 3mm perforated screen fitted from bottom.

- No Heat Generation No Flavor Loss No Color loss Excellent for Grinding spices foodstuffs, pigments, pesticides, stearates, fine minerals from 100kgs/hr to 3000kgs/hr.
- Will grind powders from 100mesh to less than 300mesh 30 microns.
- Available in Stainless steel Carbon steel and Mild Steel

### Contact

To,

Mr. Padmak Shah

**Finex Sieves Private Limited**

606, GIDC, Makarpura

Baroda - 390 010, Gujarat, India

A unique name for manufacturing machines for Grinding , Screening , Mixing , Drying , Material Handling , Equipments & Plants.

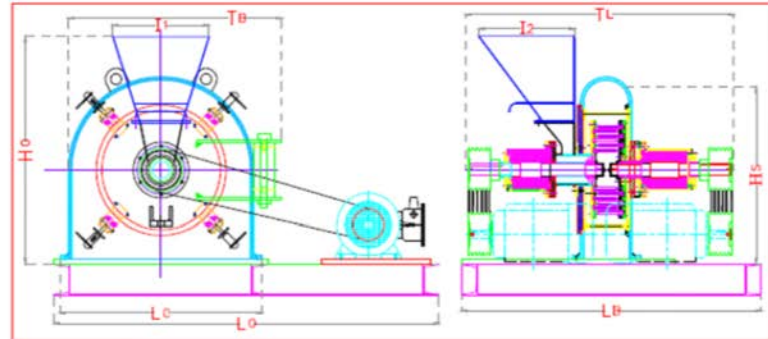
➔ **PULVERIZING MODELS>**

➔ **TECHNICAL DATA :-**

MODEL NO.	MOTOR (H.P.)	CAPACITY (Kg/hr.)
PM 300 TD	10+5	500
PM 600 TD	30+20	1000
GRINDING FROM 200 TO 400 MESH (TWIN DRIVE )		
SINGLE DRIVE IS ALSO AVAILABLE.		

➔ **DIMENSION TABLE :-**

MODEL NO.	I <sub>1</sub> X I <sub>2</sub>	H <sub>0</sub> / H <sub>s</sub>	LC	L <sub>0</sub> X LB	T <sub>L</sub> X T <sub>B</sub>
PM 300 TD	350 X 350	715/650	680	1000 X 845	800 X 700
PM 600 TD	450 X 450	1060 / 870	950	1800 X 1400	1230 X 1000
ALL THE DIMENSIONS ARE IN MM					



FINEX PIN MILL-600 TD



*FINEX PINMILL 600 TD*



**PIN MILL 600 TD**



PIN MILL 600 TD



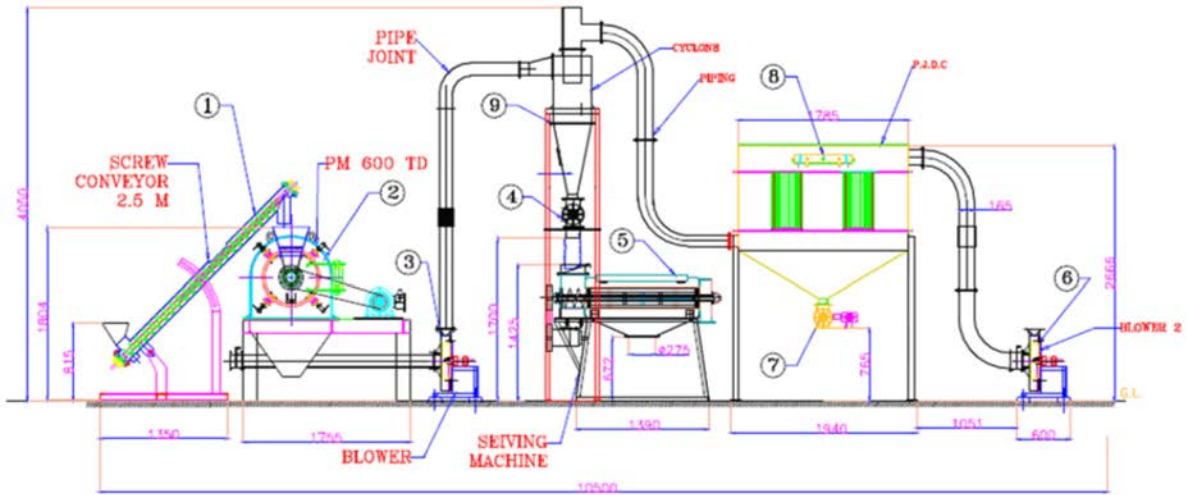




**FINEX**  
**PIN MILL - 600**



# FINEX PIN MILL - 600 TWIN DRIVE PLANT



IF THE PLANT IS ASSEMBLED IN PERPENDICULAR MANNER  
THE FOUNDATION AREA CAN BE VERY COMPACT.

	PART NO.	ALL DIMENSIONS ARE IN MM
	DRG. NO.	PM-600/2/00
	ENR.	SHRAMESH
	DATE	14/05/09
	CHK.	
		FINEX SURVIS PVT.LTD
		A1-606 G.I.S.C. MAKARPORA
		BARODA-40
SCALE	N.T.S.	
PIN MILL - 600 TD		PLANT ASSEMBLY